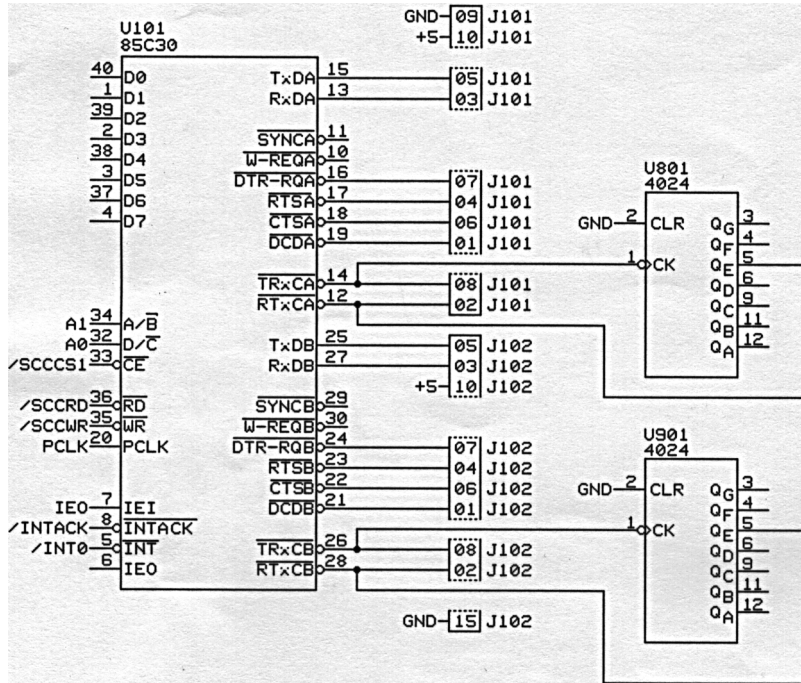


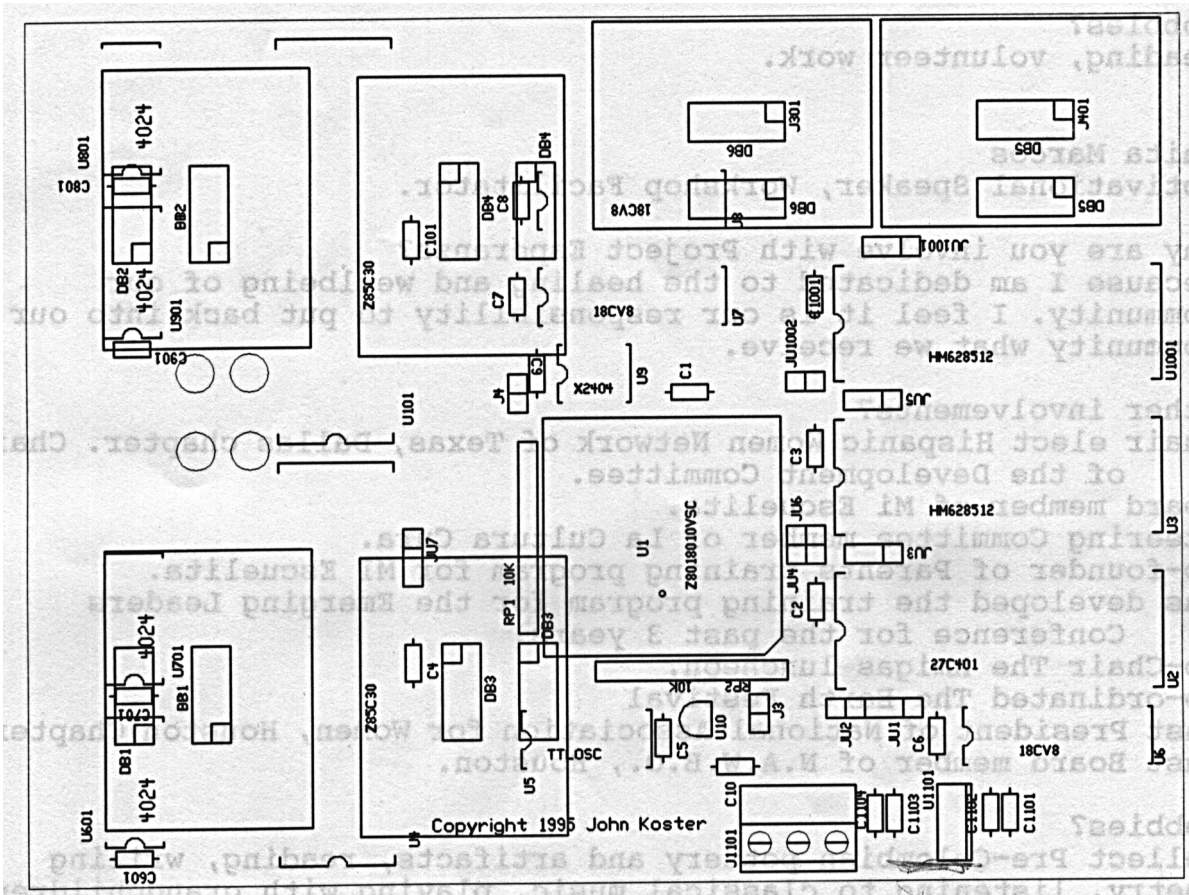
# 85C30 schematic



Portion of TNC95 Schematic.

Copyright 1994, 1995 John Koster W9DDD		
TNC-95 SCHEMATIC		
D	TNC-95	REV 02/26/95
DATE:	6/3/94	SHEET 1 OF 2

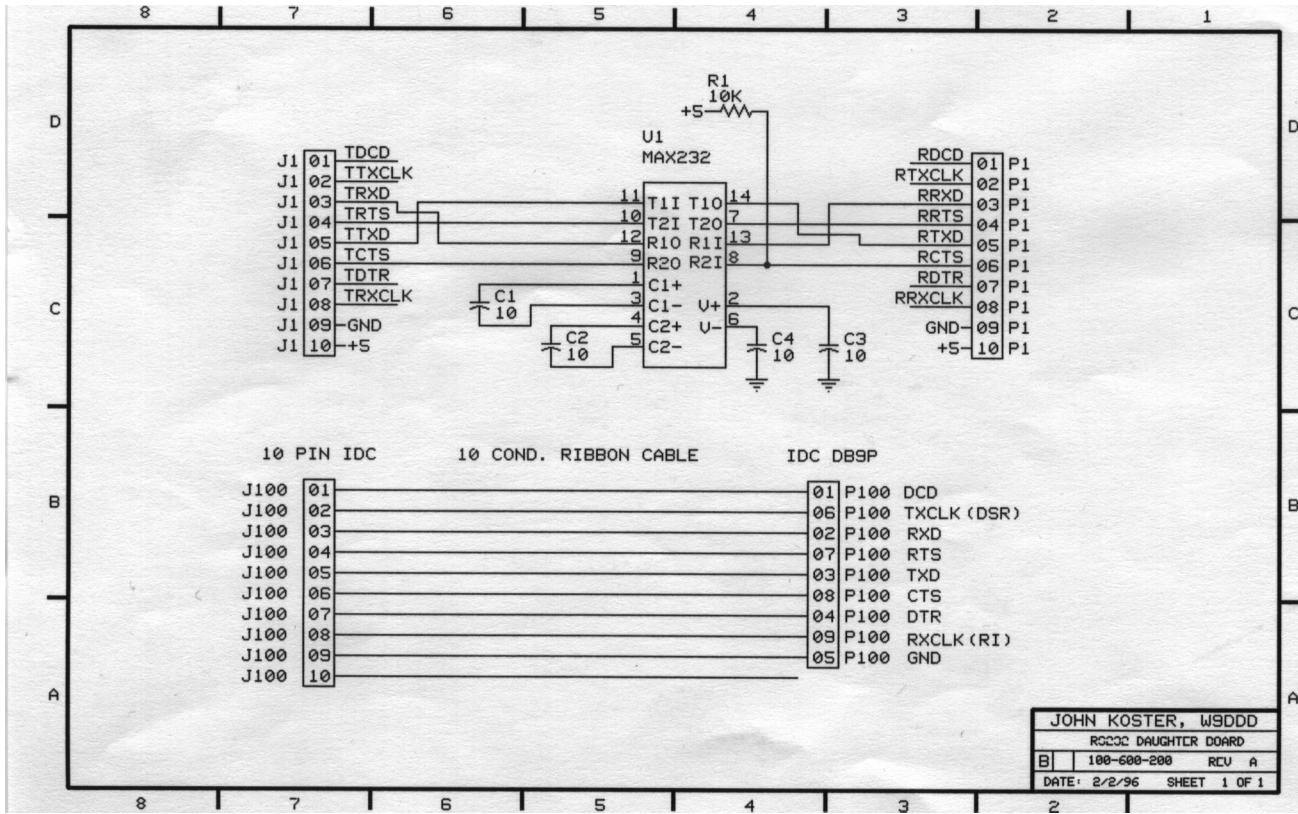
# TNC-95 board with DB attached



# Daughter Board

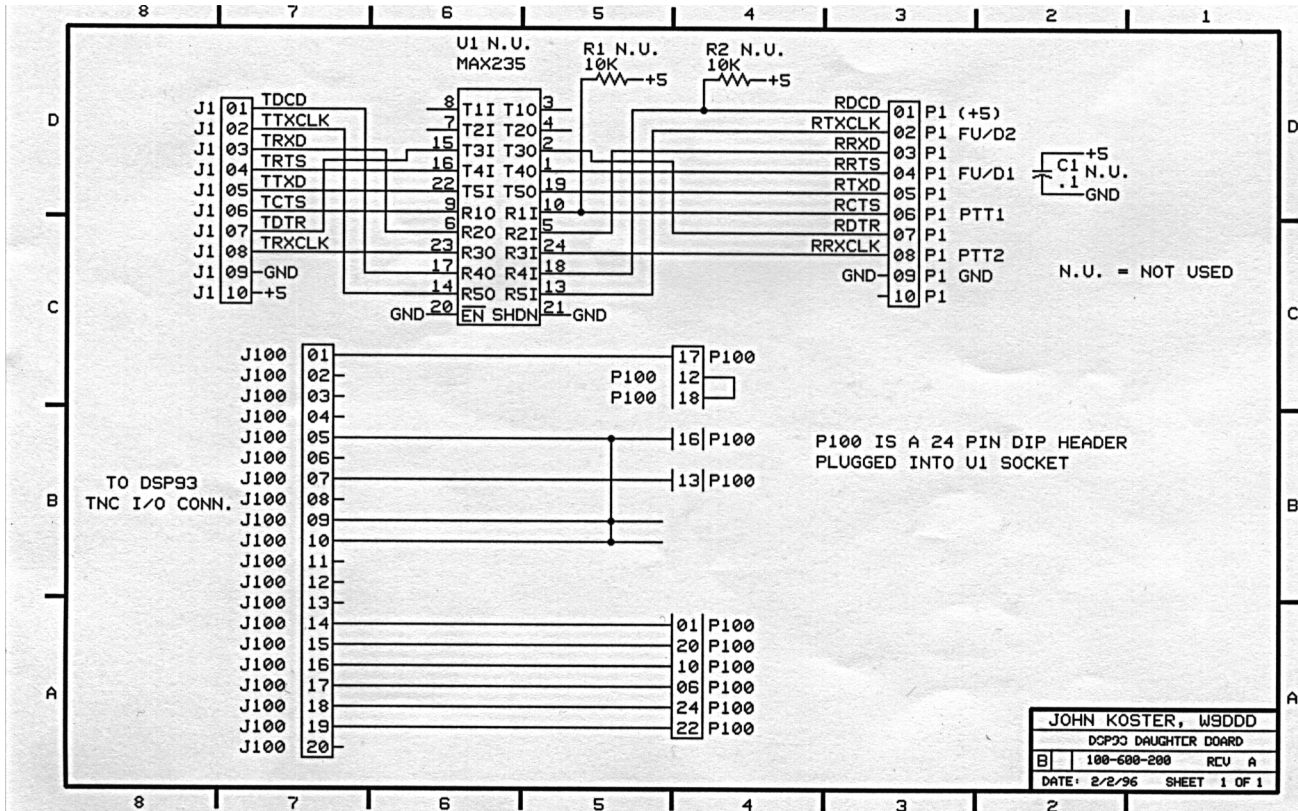


# RS-232 board



JOHN KOSTER, W9DDD  
 R3232 DAUGHTER BOARD  
 100-600-200 REV A  
 DATE: 2/2/96 SHEET 1 OF 1

# DSP-93 board



# 422 board

